

***NSGDatacom***



**DYNAPATCH® MARK 2  
ANALOG (VF)  
PRODUCT LINE**

## **THE VF CONCEPT**

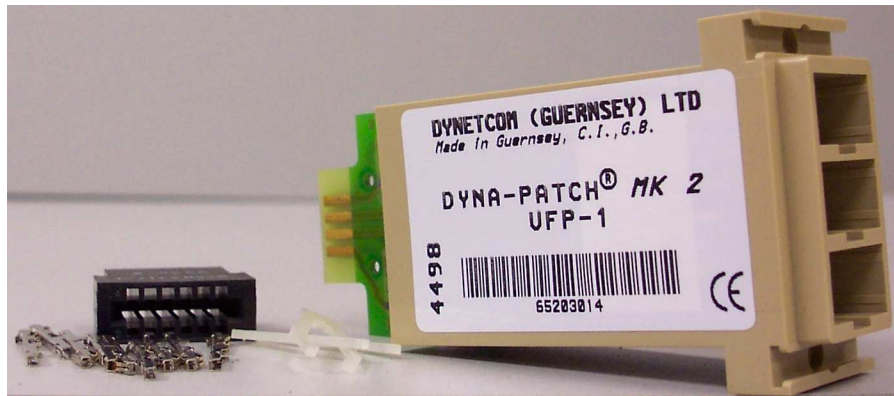
*NSGDatacom* OFFERS A COMPLETE RANGE OF THE DYNETCOM MARK2 ANALOG (VF) EQUIPMENT WHICH CAN BE USED IN BOTH VF AND CURRENT LOOP 4 WIRE APPLICATIONS. EACH PATCH JACK WORKS ON THE NORMAL-THROUGH PATH PRINCIPLE AS IN THE DIGITAL PATCH MODULES. THE EQUIPMENT IS NORMALLY INSTALLED BETWEEN THE MODEM AND THE TELEPHONE LINE TO FACILITATE REDUNDANT EQUIPMENT SUBSTITUTION OR CIRCUIT RE-CONFIGURATION IN THE EVENT OF A FAILURE TO EITHER THE MODEM OR THE TELEPHONE LINE. THE EQUIPMENT CAN ALSO BE USED FOR CHANGING CONFIGURATION WHERE A REGULAR CHANGE IS REQUIRED, e.g. WHEN EQUIPMENT IS NOT DEDICATED TO A SOLE USER, BUT MAY BE SHARED BETWEEN TWO OR MORE.

**DYNAPATCH® MARK 2  
ANALOG (VF)  
PATCH MODULES**

# VF PATCH MODULES

<b>GTC134000M</b>		<b>VFP-1</b>	THREE HOLE 4 WIRE VF PATCH MODULE PROVIDING A NORMAL-THROUGH PATH AND NON-INTERRUPTIVE MONITORING PATCH ON THE LOWER MON SOCKET AT THE FRONT OF THE JACK. WHEN A MARK 2 VF PATCH CORD IS INSERTED INTO EITHER THE MOD OR TELCO SOCKET THE NORMAL-THROUGH CONNECTION IS BROKEN ALLOWING RECONFIGURATION OF THE CIRCUIT PATH IN THE EVENT OF EQUIPMENT OR LINE FAILURE. THE MODULE IS KEYED TO PREVENT INVERTED INSERTION OF THE PATCH CORD. UP TO 18 OF THESE MODULES CAN FIT INTO AN RA-20 RACK ADAPTER. AN EIGHT POSTION REAR MOUNTED 2MC CONNECTOR IS SUPPLIED WITH EACH MODULE FOR TERMINATING THE INPUT/OUTPUT LINES.
<b>2018600002</b>		<b>VFP-2</b>	THIS PATCH MODULE IS THE SAME AS ABOVE BUT DOES NOT INCLUDE THE 2MC CONNECTORS. THIS MODULE IS MADE TO FIT INTO THE RA-21-16 RACK ADAPTER.
<b>2018600003</b>		<b>VFP-2TJ</b>	THIS PATCH MODULE IS THE SAME AS THE VFP-2 PATCH MODULE EXCEPT THAT IT HAS 2 RJ-45 CONNECTORS MOUNTED TO THE REAR OF THE MODULE. UP TO 18 OF THESE MODULES CAN FIT INTO AN RA-20 RACK ADAPTER.

# VF PATCH MODULES



VFP-1



VFP-2



VFP-2TJ

**DYNAPATCH® MARK 2**  
**ANALOG (VF)**  
**MECHANICAL A/B**  
**FALLBACK MODULE**

# VF MECHANICAL A/B FALLBACK MODULE

<b>GTC134004M</b>		<b>VFS-1</b>	MECHANICAL A/B FALLBACK SWITCH FOR STANDBY VF SWITCHING. AN INTEGRAL GREEN/RED INDICATOR SHOWS OUTPUT LINE STATUS. A 12 POSITION REAR MOUNTED 3MC CONNECTOR IS PROVIDED WITH EACH MODULE FOR TERMINATING THE INPUT/OUTPUT LINES. UP TO 18 OF THESE MODULES CAN FIT INTO AN RA-20 RACK ADAPTER.
-------------------	--	--------------	--



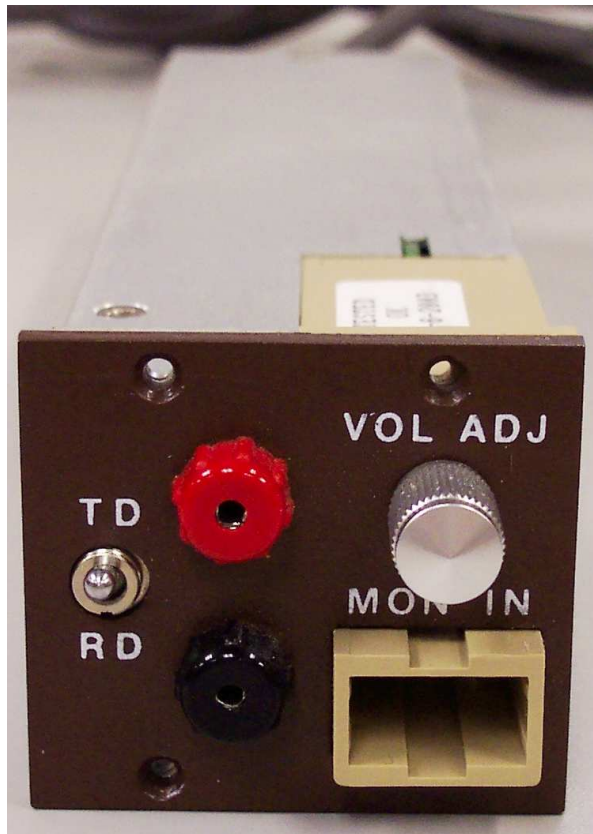
**DYNAPATCH® MARK 2  
ANALOG (VF)  
SPEAKER TEST AND  
BANTAM CONVERSION  
MODULES**



# VF TEST AND CONVERSION MODULES

2028900001	<b>CURRENT MODEL</b>	<b>STM-20</b>	100-240 VAC SPEAKER TEST MODULE , WITH AUDIO AMPLIFIER AND EXTERNAL AUTO RANGING POWER SUPPLY. THE MODULE HAS A SINGLE MARK 2 VF JACK TO ENABLE THE TRANSMIT AND RECEIVE SIGNALS OF A 4 WIRE VF LINE TO BE MONITORED BY CROSS PATCHING, USING A MARK 2 VF PATCH CORD, FROM THE MONITOR POSITION OF A VFP-1, VFP-2, OR VFP-2TJ MODULE. A TOGGLE SWITCH IS USED TO SELECT EITHER TRANSMIT OR RECEIVE SIGNALS IN CONJUNCTION WITH AN INTEGRAL AMPLIFIER WITH SPEAKER, WHICH CAN BE USED TO AUDIBLY MONITOR THE SIGNAL. TWO TEST POINTS PROVIDE CONVENIENT ACCESS FOR VF TEST EQUIPMENT. THE MODULE OCCUPIES SLOTS 17 AND 18 OF THE RA-20 OR RA-21-16 RACK ADAPTERS.
GTC134008M	<b>OBSOLETE</b>	<b>STM-20</b>	SAME AS ABOVE BUT 220-240 VAC, INTERNAL P/S ( OBSOLETE )
2018900002	<b>OBSOLETE</b>	<b>STM-20</b>	SAME AS ABOVE, BUT 90-120, INTERNAL P/S ( OBSOLETE )
2076000001		<b>BCM-1</b>	BANTAM CONVERSION MODULE, ALLOWING CONVERSION FROM MARK 2 VF CONNECTION TO TRADITIONAL TRS ( TIP-RING-SLEEVE ) STYLE CONNECTOR. BOTH TX AND RX MAY BE MONITORED ON BANTAM COMPATIBLE TEST EQUIPMENT BY SIMPLE CROSS PATCHING FROM REQUIRED CHANNEL MONITOR POSITION TO THE CONVERSION MODULE. THE MODULE OCCUPIES SLOTS 17 AND 18 OF THE RA-20 OR RA-21-16 RACK ADAPTERS.

# VF TEST AND CONVERSION MODULES



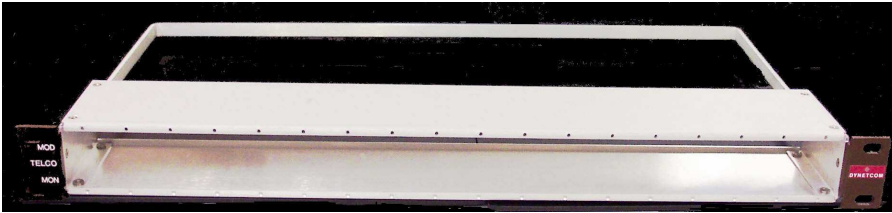
STM-20

**DYNAPATCH® MARK 2**  
**ANALOG (VF)**  
**RACK ADAPTERS**

# VF RACK ADAPTERS

201880001		RA-20	1U (1 3/4") HIGH, 19" RACK ADAPTER FOR VF PATCH AND SWITCH MODULES. THE RACK ADAPTER IS DESIGNED TO HOLD ANY MIXTURE OF VFP-1, VFP-2TJ, OR VFS-1, UP TO 18 MODULES. AN STM-20 OR BCM-1 MODULE CAN BE INSTALLED IN THE 17 AND 18 POSITIONS, IF DESIRED. AN INTEGRAL BAR TO SUPPORT THE THE CABLES ATTACHED TO THE MODULES IS INCLUDED. ANY UNUSED SLOTS SHOULD BE FILLED WITH VFB-20 BLANK PANELS.
204780001		RA-21-16U	1U (1 3/4") HIGH, 19" RACK ADAPTER FOR VFP-2 PATCH MODULES. THE RACK ADAPTER IS DESIGNED FOR UP TO 16 VFP-2 MODULES IN SLOTS 1 THROUGH 16 WITH A INTEGRAL BACKPLANE WITH FOUR 50 PIN CENTRONICS TYPE CONNECTORS INSTALLED ON REAR FOR EASY CONNECTION TO PTT SYSTEMS. AN STM-20 OR BCM-1 MODULE CAN BE INSTALLED IN THE 17 AND 18 POSITIONS, IF DESIRED. ANY UNUSED SLOTS SHOULD BE FILLED WITH VFB-20 BLANK PANELS. FOR NORTH AMERICA USE LEFT PANEL SILKSCREEN READS TOP TO BOTTOM: MODEM, TELCO, MON. AND REAR PANEL IS SILKSCREENED TO MATCH FRONT.
GTCB03936M		RA-21-16E	SAME AS ABOVE EXCEPT FOR NON-NORTH AMERICA USE LEFT PANEL SILKSCREEN READS TOP TO BOTTOM LINE, MODEM, MON. AND REAR PANEL IS SILKSCREENED TO MATCH FRONT.

# VF RACK ADAPTERS



RA-20

**DYNAPATCH® MARK 2**  
**ANALOG (VF)**  
**BLANK PANELS**

# VF BLANK PANELS

<b>201830001</b>		<b>VFB-20</b>	BLANK PANEL FOR UNUSED SLOTS OF EITHER AN RA-20 OR AN RA-21-16.
<b>201832001</b>		<b>VPB-1</b>	PUSH-IN PATCH HOLE BLANK THAT CAN BE USED IN ANY OF THE SOCKETS OF A VFP-1, VFP-2, OR VFP-2TJ TO PREVENT PATCH ACCESS TO THAT PARTICULAR POSITION. IT IS ALSO USED TO REPLACE ANY MISSING BLANKS IN A VFB-20.

**DYNAPATCH® MARK 2**  
**ANALOG (VF)**  
**PAKS**



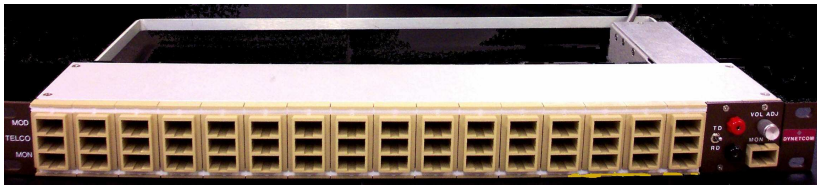
# ANALOG (VF) PATCH PAKS

PART NUMBER	PRICE	DESCRIPTION	CHASSIS	SLOTS 1-16	SLOT 17& 18	OPTIONS INCLUDED
2096010001		PAK-004-01U	RA-20	VFP-1	STM-20 90-120 VAC	NONE
GTC134012M		PAK-004-01E	RA-20	VFP-1	STM-20 220-240 VAC	NONE
293110001		PAK-004-02U	RA-21-16U	VFP-2	STM-20 90-120 VAC	NONE
GTCB03391M		PAK-004-02E	RA-21-16E	VFP-2	STM-20 220-240 VAC	NONE
2096020001		PAK-004-03U	RA-21-16U	VFP-2	STM-20 90-120 VAC	VF-50-50
GTCB06993M		PAK-004-03E	RA-21-16E	VFP-2	STM-20 220-240 VAC	VF-50-15.0M
2093100001		PAK-004-04U	RA-20	VFP-2TJ	STM-20 90-120 VAC	NONE
GTCB06998M		PAK-004-04E	RA-20	VFP-2TJ	STM-20 220-240 VAC	NONE
2096030001		PAK-004-05	RA-20	VFP-1	BCM-1	NONE
2096040001		PAK-004-06U	RA-21-16U	VFP-2	BCM-1	NONE
GTCB06994M		PAK-004-06E	RA-21-16E	VFP-2	BCM-1	NONE

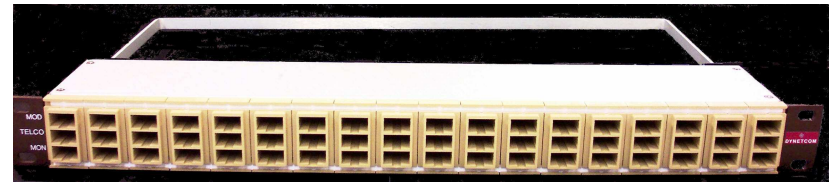
# ANALOG (VF) PATCH PAKS

PART NUMBER	PRICE	DESCRIPTION	CHASSIS	SLOTS 1-16	SLOT 17& 18	OPTIONS INCLUDED
2096050001		PAK-004-07U	RA-21-16U	VFP-2	BCM-1	VF-50-50
GTCB06995M		PAK-004-07E	RA-21-16E	VFP-2	BCM-1	VF-50-15.0M
2096060001		PAK-004-08	RA-20	VFP-2TJ	BCM-1	NONE
2096070001		PAK-004-09	RA-20	VFP-1	VFP-1	NONE
2096080001		PAK-004-10	RA-20	VFP-2TJ	VFP-2TJ	NONE
GTC134014M		PAK-004-11	RA-20	VFP-1	VFB-20	NONE
2093090001		PAK-004-12U	RA-21-16U	VFP-2	VFB-20	NONE
GTCB06997M		PAK-004-12E	RA-21-16E	VFP-2	VFB-20	NONE
2096090001		PAK-004-13U	RA-21-16U	VFP-2	VFB-20	VF-50-50
GTCB06996M		PAK-004-13E	RA-21-16E	VFP-2	VFB-20	VF-50-15.0M
2093080001		PAK-004-14	RA-20	VFP-2TJ	VFB-20	NONE

# ANALOG (VF) PATCH PAKS



**PAK-004-04**



**PAK-004-10**

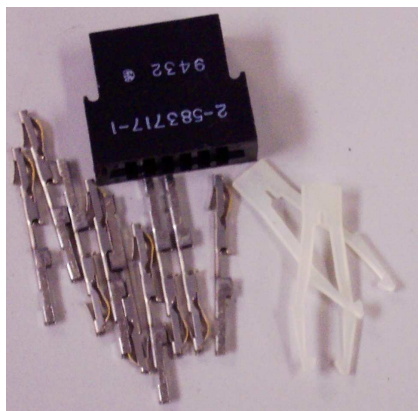
# ANALOG (VF) SWITCH PAKS

PART NUMBER	PRICE	DESCRIPTION	CHASSIS	SLOTS 1-16	SLOT 17& 18	OPTIONS INCLUDED
GTC134016M		PAK-004-21	RA-20	VFS-1	VFB-20	NONE
GTC134017M		PAK-004-22	RA-20	VFS-1	VFS-1	NONE

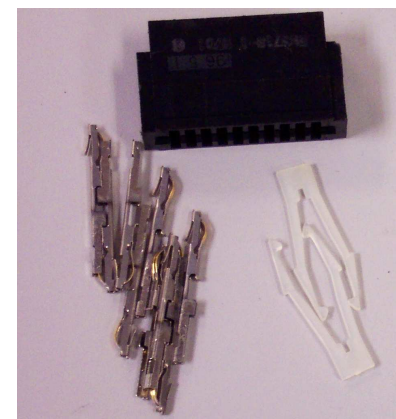
**DYNAPATCH® MARK 2**  
**ANALOG (VF)**  
**MATING CONNECTORS**  
**&**  
**CONNECTOR KITS**

# VF MATING CONNECTORS & CONNECTOR KITS

2018700002		2MC	8 POSITION MATING CONNECTOR WITH CONTACTS AND LOCKING TABS FOR THE VFP-1 PATCH MODULE.
2018700001		3MC	12 POSITION MATING CONNECTOR WITH CONTACTS AND LOCKING TABS FOR THE VFS-1 SWITCH MODULE.
GTC134051R		2MC KIT	SET OF 16 2MC MATING CONNECTORS FOR THE VFP-1 PATCH MODULE
GTC134052R		3MC KIT	SET OF 16 3MC MATING CONNECTORS FOR THE VFS-1 SWITCH MODULE.



2MC



3MC

**DYNAPATCH® MARK 2**  
**ANALOG (VF)**  
**PATCH CORDS**

# VF PATCH CORDS FEET

<b>2023000001</b>		<b>VFC-1-1</b>	1 FOOT LONG MARK 2 VF TO MARK 2 VF
<b>2023000002</b>		<b>VFC-1-2</b>	2 FOOT LONG MARK 2 VF TO MARK 2 VF
<b>2023000003</b>		<b>VFC-1-3</b>	3 FOOT LONG MARK 2 VF TO MARK 2 VF
<b>2023000004</b>		<b>VFC-1-4</b>	4 FOOT LONG MARK 2 VF TO MARK 2 VF
<b>2023000005</b>		<b>VFC-1-5</b>	5 FOOT LONG MARK 2 VF TO MARK 2 VF
<b>2023000006</b>		<b>VFC-1-6</b>	6 FOOT LONG MARK 2 VF TO MARK 2 VF
<b>20230000YY</b>		<b>VFC-1-Y</b>	Y = CUSTOM LENGTH, MARK 2 VF TO MARK 2 VF.



# VF PATCH CORDS METERS

<b>GTC620800D</b>		<b>VFC-1-.05M</b>	0.5 METER LONG MARK 2 VF TO MARK 2 VF
<b>GTC620804D</b>		<b>VFC-1-1.0M</b>	1.0 METER LONG MARK 2 VF TO MARK 2 VF
<b>GTC620806D</b>		<b>VFC-1-1.5M</b>	1.5 METER LONG MARK 2 VF TO MARK 2 VF
<b>GTC620808D</b>		<b>VFC-1-2.0M</b>	2.0 METER LONG MARK 2 VF TO MARK 2 VF
<b>GTC620809D</b>		<b>VFC-1-2.5M</b>	2.5 METER LONG MARK 2 VF TO MARK 2 VF
<b>GTC620810D</b>		<b>VFC-1-3.0M</b>	3.0 METER LONG MARK 2 VF TO MARK 2 VF
<b>GTC620811D</b>		<b>VFC-1-4.0M</b>	4.0 METER LONG MARK 2 VF TO MARK 2 VF
<b>GTC620812D</b>		<b>VFC-1-5.0M</b>	5.0 METER LONG MARK 2 VF TO MARK 2 VF

**CONTACT [NSGDatacom](#) FOR ADDITIONAL METER LENGTHS AND PRICING**

**DYNAPATCH® MARK 2**  
**ANALOG (VF)**  
**CABLES**

# RA-21-16 CABLES

## FEET

<b>2907009025</b>		<b>VF-50-25</b>	50-PIN CENTRONICS CONNECTOR CABLE MATING THE RA-21-16 RACK ADAPTER TO P.T.T. BLOCK CONNECTORS. 25 FOOT LONG.
<b>2907009050</b>		<b>VF-50-50</b>	SAME AS ABOVE BUT 50 FEET LONG.
<b>290700900Y</b>		<b>VF-50-YY</b>	SAME AS ABOVE ,CUSTOMER TO SPECIFY LENGTH. Y = FOOTAGE

# RA-21-16 CABLES METERS

2907M09705		VF-50-7.5M	50-PIN CENTRONICS CONNECTOR CABLE MATING THE RA-21-16 RACK ADAPTER TO P.T.T. BLOCK CONNECTORS. 7.5 METERS LONG
2907M09015		VF-50-15M	SAME AS ABOVE BUT 15 METERS LONG.

**CONTACT [NSGDatacom](#) FOR ADDITIONAL METER LENGTHS AND PRICING**

**DYNAPATCH® MARK 2**  
**ANALOG (VF)**  
**MANUAL**

# VF MANUAL

<b>GLM2000005</b>		<b>MARK 2 VF PATCH / SWITCH MANUAL</b>	INSTRUCTION MANUAL FOR MARK 2 ANALOG VF PATCH AND SWITCH MODULES.
-------------------	--	--	---

**DYNAPATCH® MARK 2**  
**ANALOG (VF)**  
**ACCESSORIES**

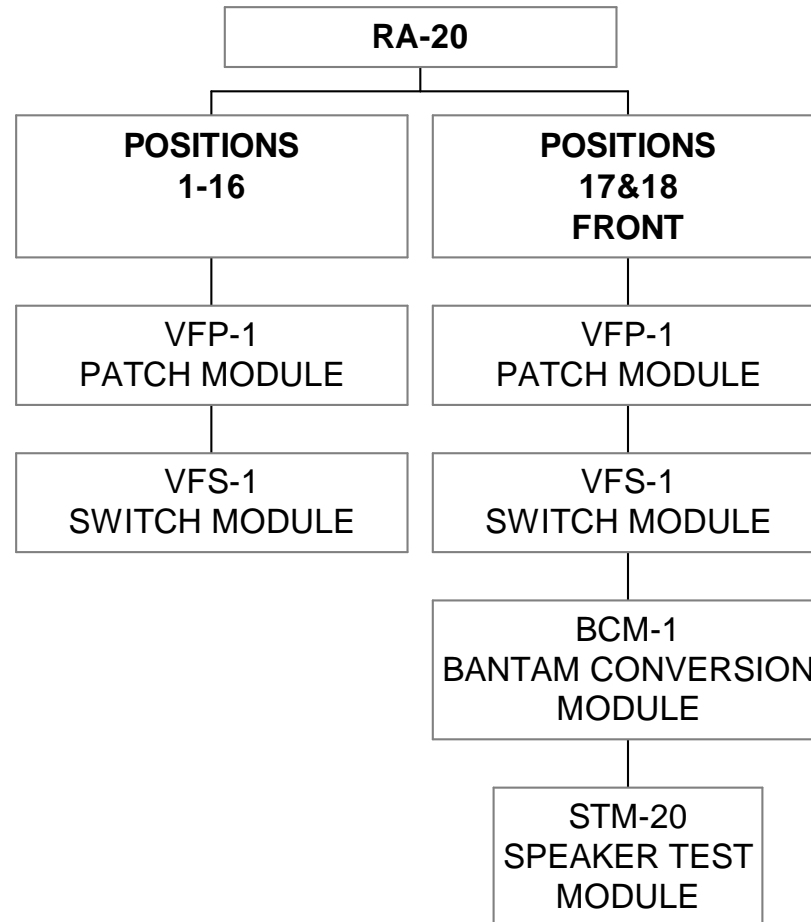
# VF ACCESSORIES

<b>6510031605</b>		<b>MTG SCREW</b>	SELF-TAPPING MOUNTING SCREW. USED TO MOUNT VF PATCH AND SWITCH MODULES INTO RACK-ADAPTERS.
<b>1015123401</b>		<b>DESIG PAPER</b>	FOR USE WITH THE RA-20 AND RA-21-16 RACK ADAPTERS.
<b>1015123402</b>		<b>DESIG MYLAR</b>	FOR USE WITH THE RA-20 AND RA-21-16 RACK ADAPTERS



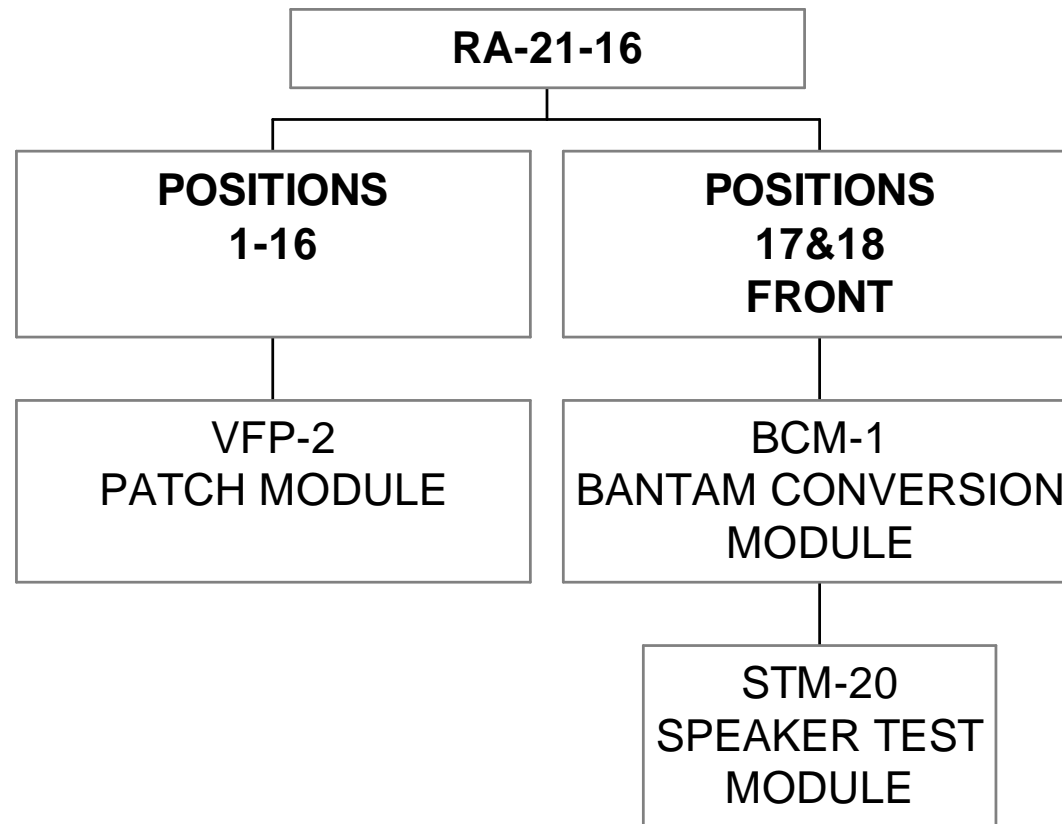
# **VF RACK ADAPTER CONFIGURATIONS**

# RA-20 RACK ADAPTER



VFB-20 FILLER PANELS SHOULD BE USED IN ALL UNUSED POSITIONS 1-18

# RA-21-16 RACK ADAPTER



VFB-20 FILLER PANELS SHOULD BE USED IN ALL UNUSED POSITIONS 1-18

**FOR DYNETCOM PRODUCT SALES & SUPPORT CONTACT:**

***NSGDatacom, Inc.***

**3863 Centerview Drive**

**Suite 100**

**Chantilly, VA 20151**

**U.S.A.**

**Phone: 703-793-2000**

**Fax: 703-793-2001**

THE *NSGDatacom* LOGO IS A REGISTERED TRADEMARK OF *NSGDatacom, Inc.*  
DYNETCOM LOGO AND DYNAPATCH® MARK 2 ARE REGISTERED TRADEMARKS OF *NSGDatacom.*